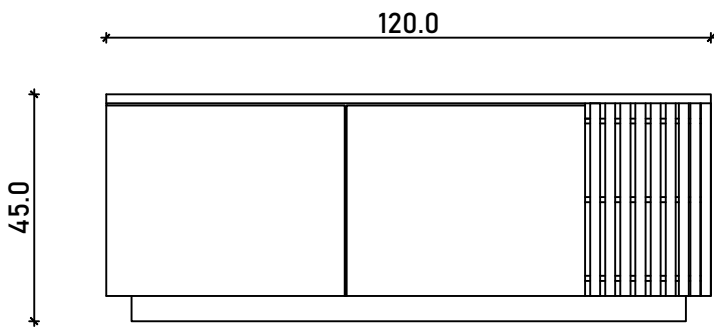
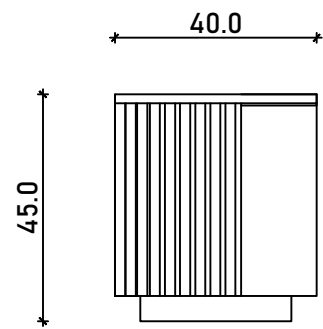


PLAN VIEW



SIDE VIEW



FRONT VIEW

