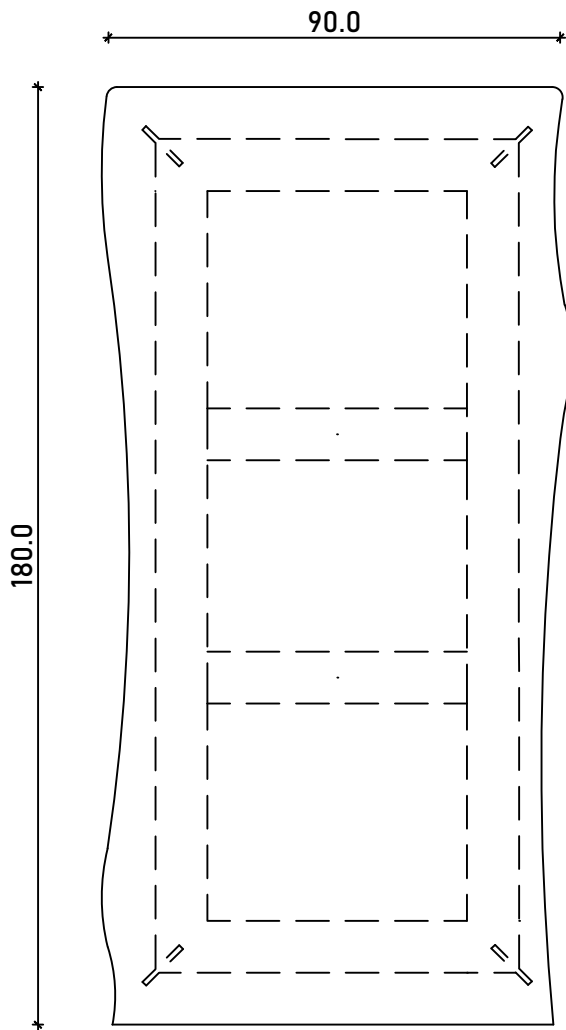
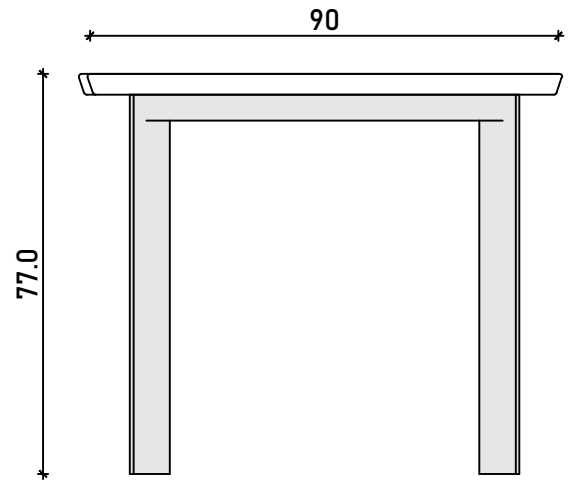


PLAN VIEW



FRONT VIEW



SIDE VIEW

